

# *Rohnson*<sup>®</sup>

## Instruction Manual

**MILK FROTHER**

**R-4425**



Read this booklet thoroughly before using and save it for future reference.

# IMPORTANT SAFETY INSTRUCTIONS

1. Read all instructions before using.
2. Before connecting the appliance to the power supply, check that the voltage indicated on the appliance corresponds with the voltage in your home. If this is not the case, contact your dealer and do not use the machine.
3. The attached base can not be used for other than intended use.
4. Do not operate the appliance without anything in it to avoid damaging the heat elements.
5. Unplug from the outlet when not in use and before cleaning. Allow to cool before putting on or taking off parts, and before cleaning the appliance.
6. Do not let the cord hang over the edge of a table or counter or touch a hot surface.
7. Do not place on or near a hot gas or electric burner or in a heated oven.
8. Ensure that the appliance is used on a firm and flat surface out of reach of children, this will prevent the appliance from overturning and prevent damage or injury.
9. Keep hands and utensils out of container while blending to reduce the risk of severe injury to persons or damage to the blender.
10. To protect against a fire, electric shock or personal injury, do not immerse cord, electric plugs, jar or base in water or other liquids.
11. Close supervision is necessary when any appliance is used by or near children.
12. Do not touch the hot surface. Use the handle or the button.
13. Extreme caution must be used when moving an appliance containing hot water.
14. Avoid contacting moving parts.
15. The use of attachments not recommended or sold by manufacturer may cause fire, electric shock or injury.
16. Do not operate any appliance with a damaged cord or plug or after the appliance malfunctions, or is dropped or damaged in any manner. Return appliance to the nearest authorized service facility for examination, repair or electrical or mechanical adjustment.
17. The appliance only used for frothing and heating milk. Do not use the appliance for other

than intended use.

18. This appliance has been incorporated with a grounded plug. Please ensure the wall outlet in your house is well earthed.

19. This appliance can be used by children aged from 8 years and above if they have been given supervision or instruction concerning use of the appliance in a safe way and if they understand the hazards involved. Cleaning and user maintenance shall not be made by children unless they are older than 8 and supervised. Keep the appliance and its cord out of reach of children aged less than 8 years.

Appliances can be used by persons with reduced physical, sensory or mental capabilities or lack of experience and knowledge if they have been given supervision or instruction concerning use of the appliance in a safe way and understand the hazards involved.

Children shall not play with the appliance.

20. Always operate the appliance with cover in place.

21. Never place this appliance on or near a hot gas or an electric burner or where it could touch a heated appliance.

22. This appliance is intended to be used in household and similar applications such as:

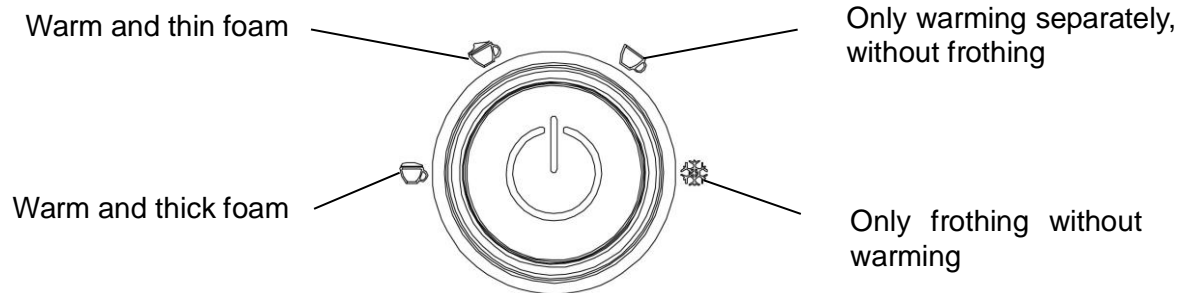
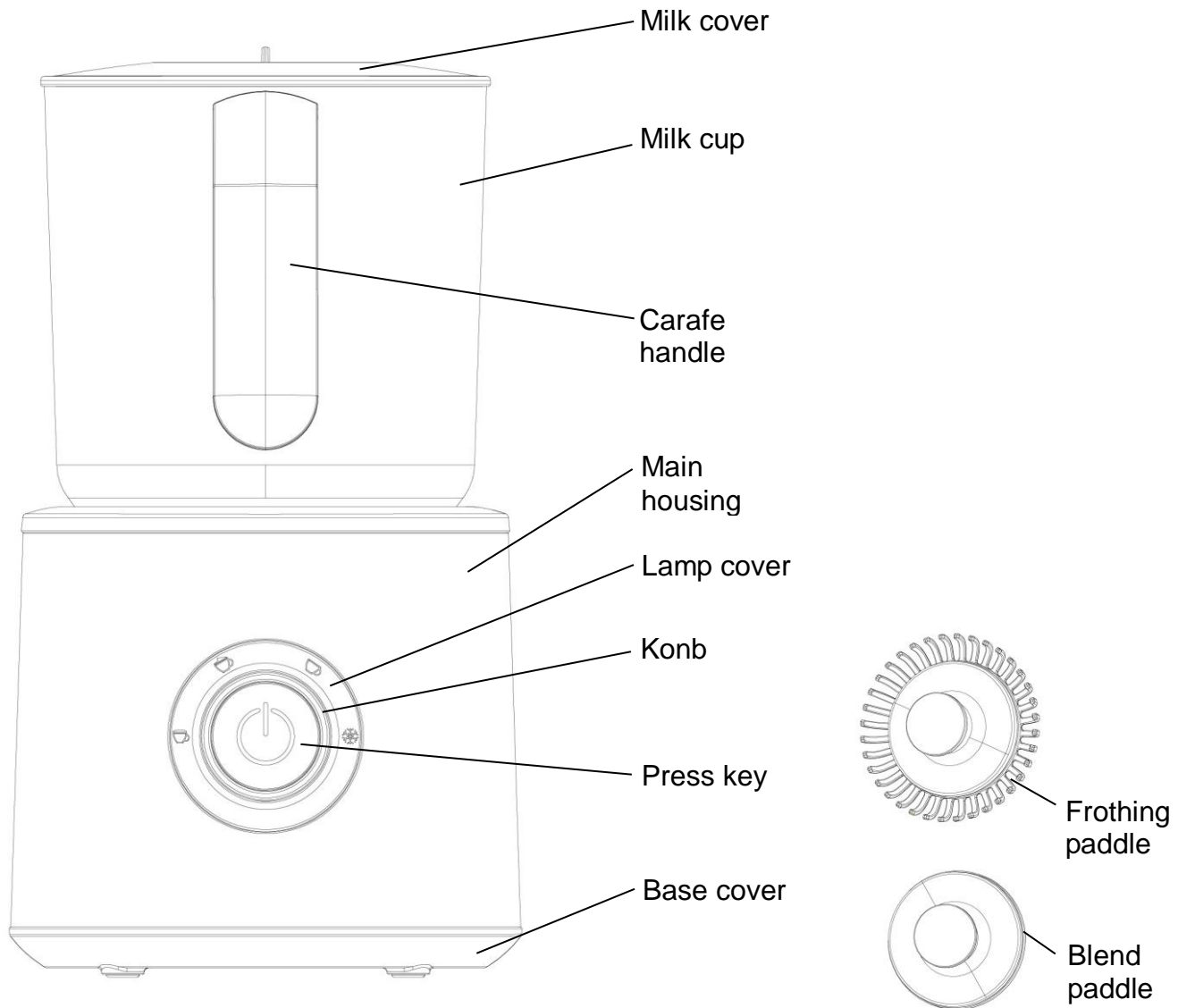
- Staff kitchen areas in shops, offices and other working environments;
- Farm houses;
- By clients in hotels, motels and other residential type environments;
- Bed and breakfast type environments.

23. Children should be supervised to ensure that they do not play with the appliance.

24. This appliance is for household and indoor use only. Don't use it outdoors!

25. Save these instructions.

# KNOW YOUR MILK FROTHER



# BEFORE THE FIRST USE

The appliance can be used for finishing the following tasks separately:

- I. Warm and thick foam;
- II. Warm and thin foam;
- III. Only warming separately, without frothing ;
- IV. Only frothing separately, without warming.

1. Before using your milk frother, clean all the parts according to the section “CLEANING AND MAINTENANCE”.
2. The amount of milk to be heated or frothed shall be complied with the requirement shown Figure. 1.

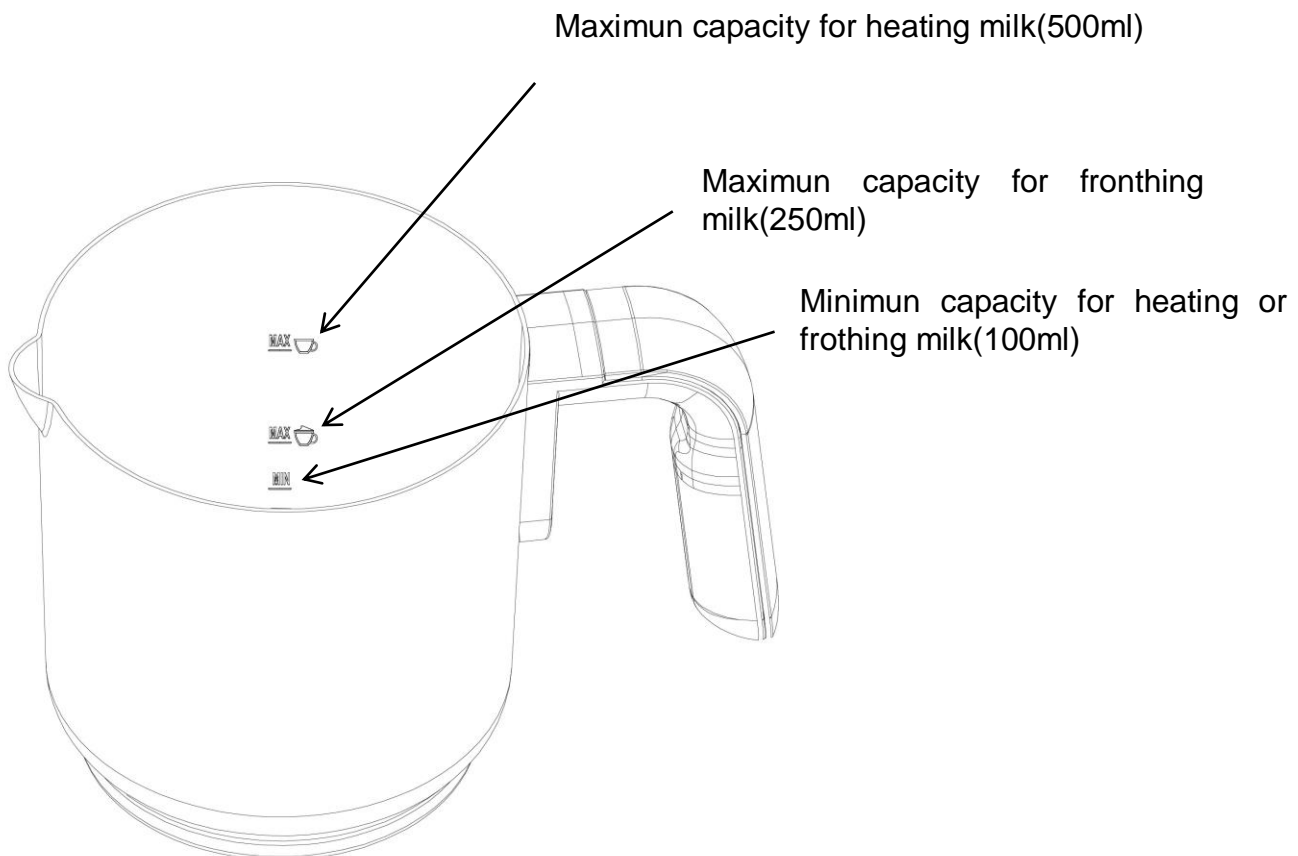


Fig.1

The working indicator of “Frothing and heating milk” will turn to blink

## OPERATION OF YOUR MILK FROTHER

### I. Warm and thick foam

- 1) Place the appliance on a flat surface.
- 2) Then open the lid, insert the frothing paddle onto the shaft on the bottom of jar.
- 3) Fill the jar with the desired amount of milk, and replace the lid.

**NOTE:** The max milk quantity permitted to add is 250ml(see Fig. 1), to avoid milk overflowing after frothing. The min milk quantity permitted to add is 100ml.

**NOTE:** Please use whole milk, frozen milk (5-10°C).

4)Connect the plug into a power outlet.

5)Turn the KNOB until the working indicator of “Warm and thick foam” light up. Then press the PRESS KEY button once , the working indicator of “warm and thick foam” will turn to blink, the appliance will start to work. Once the temperature of milk has achieved the setting value, appliance will stop working;

**Note:** During operation, you can stop operating by pressing the button once.

6)When the appliance has stopped operating, open the lid, pour out the warmed and frothed milk to enjoy it.

**Caution:** Minimum 3 minutes rest time must be maintained between two continuous cycles, otherwise, the appliance will enter self-protection state automatically after working for 5 cycles continuously, the working indicator will flash and the switch button will not be activated, after about 5 minutes, the appliance will enter standby state and you can continue operating the appliance.

**NOTE:** Please clean the jar according to the section “CLEANING AND MAINTENANCE” between two continuous cycles.

7) Always turn off the milk frother and disconnect the power supply when not use.

## II. Warm and thin foam

1)Place the appliance on a flat surface.

2)Then open the lid, insert the frothing paddle onto the shaft on the bottom of jar.

3)Fill the jar with the desired amount of milk, and replace the lid.

**NOTE:** The max milk quantity permitted to add is 250ml(see Fig. 1), to avoid milk overflowing after frothing. The min milk quantity permitted to add is 100ml.

**NOTE:** Please use whole milk, frozen milk (5-10°C).

4)Connect the plug into a power outlet.

5)Turn the KNOB until the working indicator of “Warm and thin foam” will light up. Then press the PRESS KEY button once, the working indicator of “Warm and thin foam” will turn to blink, the appliance will start to work. Once the temperature of milk has achieved the setting value, appliance will stop working;

**Note:** During operation, you can stop operating by pressing the button once.

6)When the appliance has stopped operating, open the lid, pour out the warmed and frothed milk to enjoy it.

**Caution:** Minimum 3 minutes rest time must be maintained between two continuous cycles, otherwise, the appliance will enter self-protection state automatically after working for 5 cycles continuously, the working indicator will flash and the switch button will not be activated, after about 5 minutes, the appliance will enter standby state and you can continue operating the appliance.

**NOTE:** Please clean the jar according to the section “CLEANING AND MAINTENANCE”

between two continuous cycles.

7) Always turn off the milk frother and disconnect the power supply when not use.

### **III. Only warming separately, without frothing.**

1) Place the appliance on a flat surface.

2) Then open the lid, insert the blend paddle onto the shaft on the bottom of jar.

3) Fill the jar with the desired amount of milk, and replace the lid.

**NOTE:** The max milk quantity permitted to add is 500ml(see Fig. 1), to avoid milk overflowing after mixing. The min milk quantity permitted to add is 100ml.

**NOTE:** Please use whole milk, frozen milk (5-10°C).

4) Connect the plug into a power outlet.

5) Turn the knob until the working indicator of “Only warming separately, without frothing” will light up. Then press the PRESS KEY button once, the working indicator of “Only warming separately, without frothing” will turn to blink, the appliance will start to work. Once the temperature of milk has achieved the setting value, appliance will stop working;

6) When the appliance has stopped operating, open the lid, pour out the warm milk and enjoy it.

**Caution:** Minimum 3 minutes rest time must be maintained between two continuous cycles, otherwise, the appliance will enter self-protection state automatically after working for 5 cycles continuously, the working indicator will flash and the switch button will not be activated, after about 5 minutes, the appliance will enter standby state and you can continue operating the appliance.

**NOTE:** Please clean the jar according to the section “CLEANING AND MAINTENANCE” between two continuous cycles.

7) Always turn off the milk frother and disconnect the power supply when not use.

### **IV. Only frothing separately, without warming**

1) Place the appliance on a flat surface.

2) Then open the lid, insert the frothing paddle onto the shaft on the bottom of jar.

3) Fill the jar with the desired amount of milk, and replace the lid.

**NOTE:** The max milk quantity permitted to add is 250ml(see Fig. 1), to avoid milk overflowing after frothing. The min milk quantity permitted to add is 100ml.

**NOTE:** Please use whole milk.

4) Connect the plug into a power outlet.

5) Turn the KNOB until the working indicator of “Only frothing separately, without warming” will light up. Then press the PRESS KEY button once, the working indicator of “Only frothing separately, without warming” will turn to blink, the frothing paddle will rotate for frothing milk separately, but the heating element will not heat. And the appliance will automatically stop rotating after operating.

**Note:** During operation, you can stop operating by pressing button once.

6) When the appliance has stopped operating, open the lid, pour out the frothed milk and enjoy it.

**Caution:** Minimum 3 minutes rest time must be maintained between two continuous cycles, otherwise, the appliance will enter self-protection state automatically after working for 5 cycles continuously, the working indicator will flash and the switch button will not be activated, after about 5 minutes, the appliance will enter standby state and you can continue operating the appliance.

**NOTE:** Please clean the jar according to the section “CLEANING AND MAINTENANCE” between two continuous cycles.

7) Always turn off the milk frother and disconnect the power supply when not use.

## CLEANING AND MAINTENANCE

Always disconnect the appliance from the power outlet and allow it cooling down before cleaning.

**CAUTION:** Never immerse the jar, power cord in water, or allow moisture to contact with these parts.

1. Remove the frothing paddle . Wash it completely in warm water.
2. Wash the inner of jar with a combination of a mild detergent and water and then wipe clean with a soft damp cloth.
3. Wipe the appearance of jar with a soft damp cloth or cleaner, never use a poisonous cleaner.

**NOTE:** Do not use chemical, steel, wooden or abrasive cleaners to clean the outside of the appliance to prevent the gloss loss.



### **IMPORTANT INFORMATION FOR CORRECT DISPOSAL OF THE PRODUCT IN ACCORDANCE WITH EC DIRECTIVE 2012/19/EU.**

At the end of its working life, the product must not be disposed of as urban waste. It must be taken to a special local authority differentiated waste collection center or to a dealer providing this service. Disposing of a household appliance separately avoids possible negative consequences for the environment and health, deriving from inappropriate disposal and enables the constituent materials to be recovered to obtain significant savings in energy and resources. As a reminder of the need to dispose of household appliances separately, the product is marked with a crossed-out wheeled dustbin.